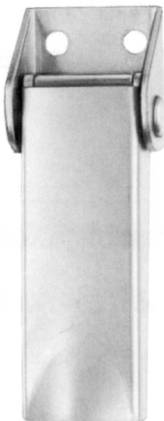
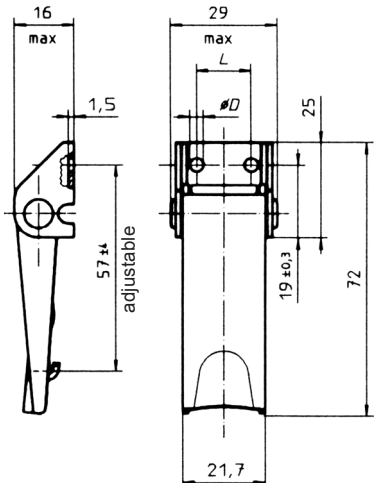
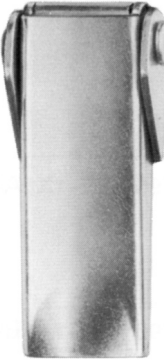
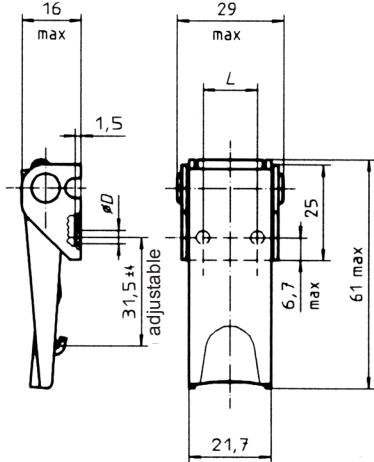


Max. tensile strength 2.300 N, working load max 1.550 N, see footnotes.

Adjustable drawhook

Available with secondary lock and hasp

Style	Dimensions	Materials / Finish	Mounting Type <sup>1)</sup>	D	L	Part No.
<b>Open base</b>  		Steel / zinc-plated, CrVI-free, clear passivation <sup>2)</sup>	N	3,6	14,3	<b>V951L02-1-1AGV</b>
		Steel / zinc-plated, CrVI-free, clear passivation <sup>2)</sup>	N	4,2	12,7	<b>V951L02-1-5AGV</b>
		Steel / zinc-plated, CrVI-free, clear passivation Base: Steel / zinc-plated <sup>2)</sup>	S	-	-	<b>V951L02-1-2AGV</b>
		Steel / chrome-plated Interior parts: Steel / zinc-plated, CrVI-free, clear passivation <sup>2)</sup>	N	3,6	14,3	<b>V951L02-1-1AD</b>
		Stainless steel <sup>3)</sup>	N	3,6	14,3	<b>V951L02-1-1BP</b>
		Stainless steel <sup>3)</sup>	N	4,2	12,7	<b>V951L02-1-5BP</b>
		Stainless steel <sup>3)</sup>	S	-	-	<b>V951L02-1-2BP</b>
<b>Concealed base <sup>4)</sup></b>  		Steel / zinc-plated, CrVI-free, clear passivation	N	3,6	14,3	<b>V951L03-1-1AGV</b>
		Steel / zinc-plated, CrVI-free, clear passivation	N	4,2	12,7	<b>V951L03-1-5AGV</b>
		Steel / chrome-plated Interior parts: Steel / zinc-plated, CrVI-free, clear passivation	N	3,6	14,3	<b>V951L03-1-1AD</b>
		Stainless steel	N	3,6	14,3	<b>V951L03-1-1BP</b>
		Stainless steel	N	4,2	12,7	<b>V951L03-1-5BP</b>

<sup>1)</sup> Mounting type: N = With holes for riveting or screw fixing

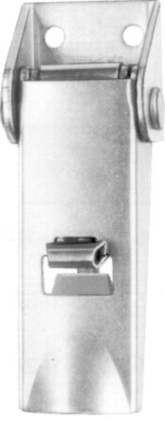
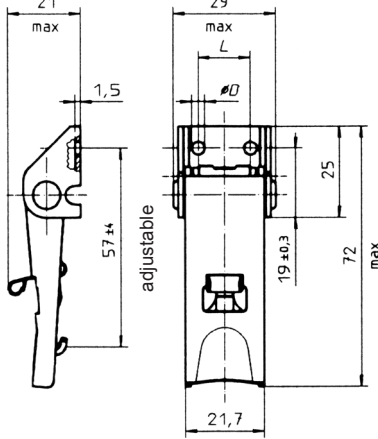

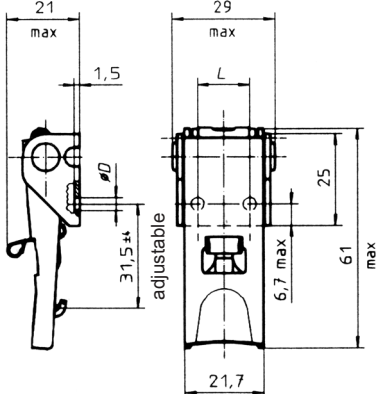
S = Without holes, for welding

<sup>2)</sup> Max. tensile strength: 2.300 N with V951L7-\*A\*, V951L52-1A\* strike, working load 1.550 N.


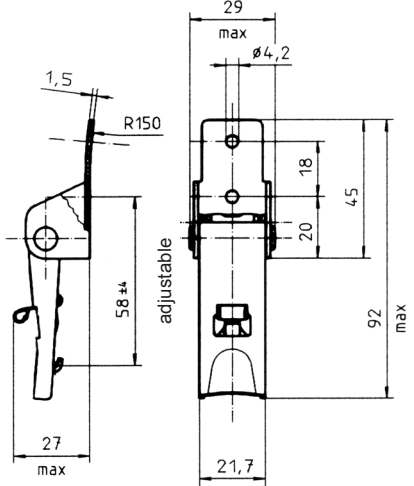
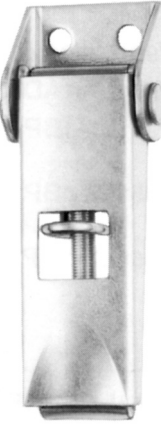
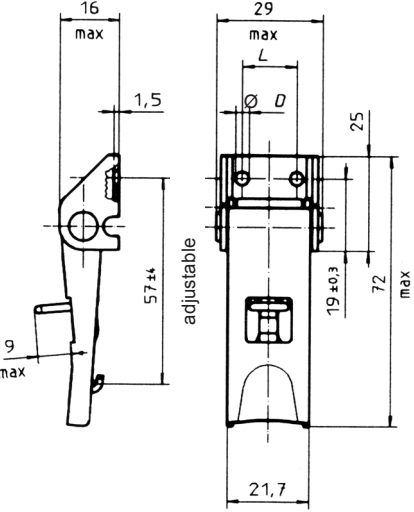
2.000 N with V951L50-1A\* strike, working load 1.300 N.

<sup>3)</sup> Max. tensile strength: 1.500 N with V951L7-\*BP\*, V951L50-1BP, V951L52-1BP strike, working load 1.000 N.

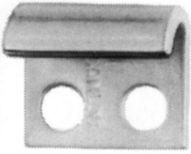
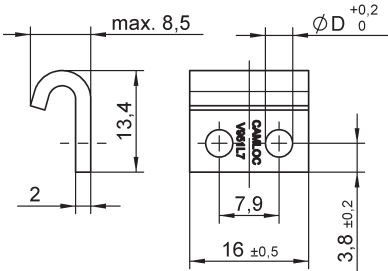

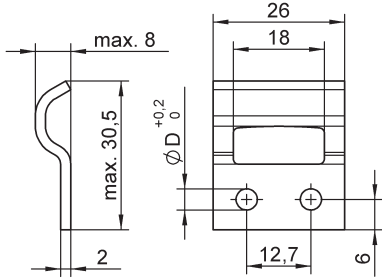

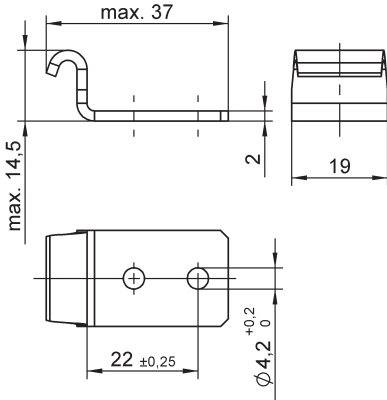
<sup>4)</sup> Due to the mounting geometry, tensile strength reduced to approx. 1200 N, working load 800 N.

Style	Dimensions	Materials / Finish	Mounting Type <sup>1)</sup>	D	L	Part No.
<b>Secondary lock, open base</b>  		Steel / zinc-plated, CrVI-free, clear passivation <sup>2)</sup>	N	3,6	14,3	<b>V951L04-1X1AGV</b>
		Steel / zinc-plated, CrVI-free, clear passivation <sup>2)</sup>	N	4,2	12,7	<b>V951L04-1X5AGV</b>
		Steel / chrome-plated Interior parts: Steel / zinc-plated, CrVI-free, clear passivation Secondary lock: Stainless steel	N	3,6	14,3	<b>V951L04-1X1AD</b>
		Stainless steel <sup>3)</sup>	N	3,6	14,3	<b>V951L04-1X1BP</b>
		Stainless steel <sup>3)</sup>	N	4,2	12,7	<b>V951L04-1X5BP</b>
		Stainless steel <sup>3)</sup>	S	-	-	<b>V951L04-1X2BP</b>
<b>Secondary lock, concealed base <sup>4)</sup></b>  		Steel / zinc-plated, CrVI-free, clear passivation	N	4,2	12,7	<b>V951L03-1X5AGV</b>
		Steel / chrome-plated Interior parts: Steel / zinc-plated, CrVI-free, clear passivation Secondary lock: Stainless steel	N	3,6	14,3	<b>V951L03-1X1AD</b>
		Stainless steel	N	3,6	14,3	<b>V951L03-1X1BP</b>
		Stainless steel	N	4,2	12,7	<b>V951L03-1X5BP</b>

For footnotes refer to page F-1.


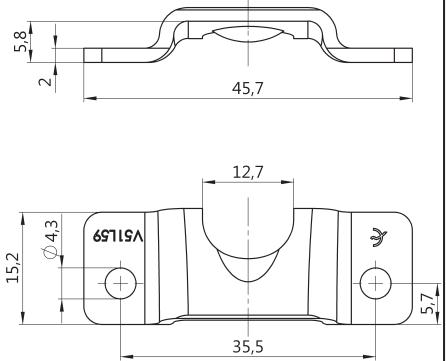
Style	Dimensions	Materials / Finish	Mounting Type <sup>1)</sup>	D	Part No.
<b>Secondary lock, high base</b>  		Steel / zinc-plated, CrVI-free, clear passivation Secondary lock: Stainless steel <sup>2)</sup>	N	4,2	<b>V951L05-1X1AGV</b>
		Stainless steel <sup>3)</sup>	N	4,2	<b>V951L05-1X1BP</b>
<b>Hasp</b>  	 <p>Hasp for Padlock Ø 6 max.</p>	Steel / zinc-plated, CrVI-free, clear passivation <sup>2)</sup> Base: Steel / zinc-plated	S	-	<b>V951L01-1Y2AGV</b>
		Steel / zinc-plated, CrVI-free, clear passivation <sup>2)</sup>	N	4,2	<b>V951L01-1Y5AGV</b>

For footnotes refer to page F-1.

Style	Dimensions	Materials / Finish	Mounting Type <sup>1)</sup>	D	Part No.
<b>Open</b>  		Steel / zinc-plated, CrVI-free, clear passivation	N	3,6	<b>V951L7-1AGV</b>
		Steel / zinc-plated, CrVI-free, clear passivation	N	4,2	<b>V951L7-5AGV</b>
		Steel / zinc-plated	S <sup>2)</sup>	-	<b>V951L7-2AZ</b>
		Steel / chrome-plated	N	3,6	<b>V951L7-1AD</b>
		Stainless steel	N	3,6	<b>V951L7-1BP</b>
		Stainless steel	N	4,2	<b>V951L7-5BP</b>
		Stainless steel	S	-	<b>V951L7-2BP</b>
<b>Closed</b>  		Steel / zinc-plated, CrVI-free, clear passivation	N	4,2	<b>V951L50-1AGV</b>
		Stainless steel	N	4,2	<b>V951L50-1BP</b>
		Stainless steel	N	3,6	<b>V951L50-2BP</b>
		Stainless steel	S	-	<b>V951L50-3BP</b>
<b>Corner mounting</b>  		Steel / zinc-plated, CrVI-free, clear passivation	N	4,2	<b>V951L52-1AGV</b>
		Stainless steel	N	4,2	<b>V951L52-1BP</b>

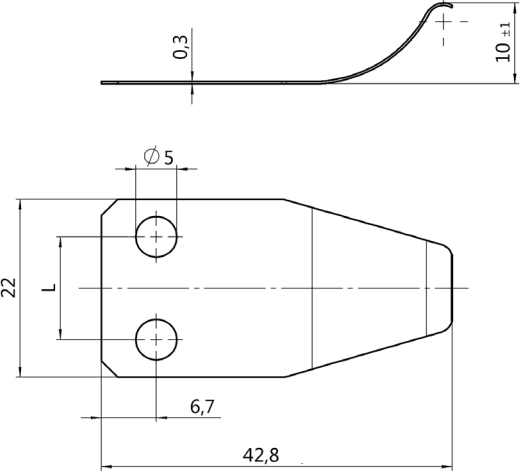
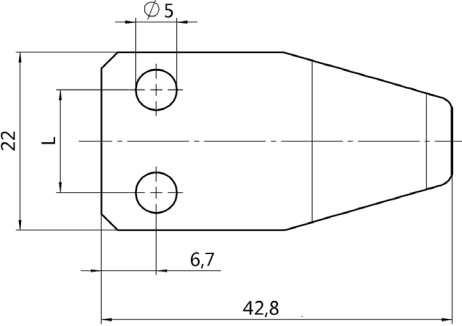
<sup>1)</sup> Mounting type: N = With holes for riveting or screw fixing  
S = Without holes, for welding

<sup>2)</sup> Material C45, HRC 36-39 steel, please use high-alloy filler welding rods

Product	Dimensions	Materials / Finish	Mounting Type	D	Part No.
<p><b>wide Version</b></p> 		zinc-nickel plated transparent, CrVI-free passivated and sealed	N	4,3	<b>V51L59-1ASNV</b>

- 1) Befestigung: N = mit Bohrungen zum Nieten bzw. Schrauben  
S = ohne Bohrungen zum Schweißen
- 2) Werkstoff: Stahl C45, HRC 36-39, bitte hochlegierte Schweißzusatzwerkstoffe verwenden.

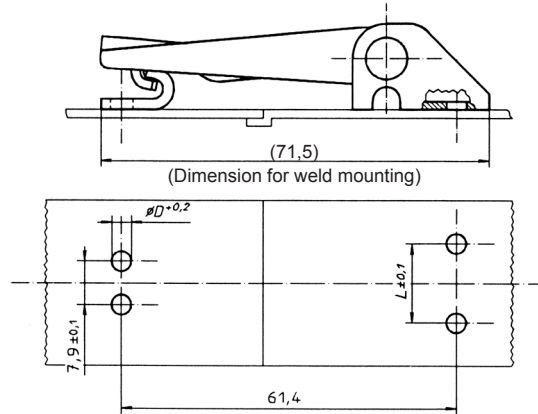
## Accessories

Dimensions	Material / Finish	Hole Distance L	D	Part No.
<p><b>Lift Spring</b></p> 	stainless steel / passivated	14,3	5,0	<b>V951L61-4BP</b>
	stainless steel / passivated	12,7	5,0	<b>V951L61-5BP</b>

This lift spring can only be used in combination with latches of V951L series with open base.

Dimensions

**Open-base tension latch / open strike**

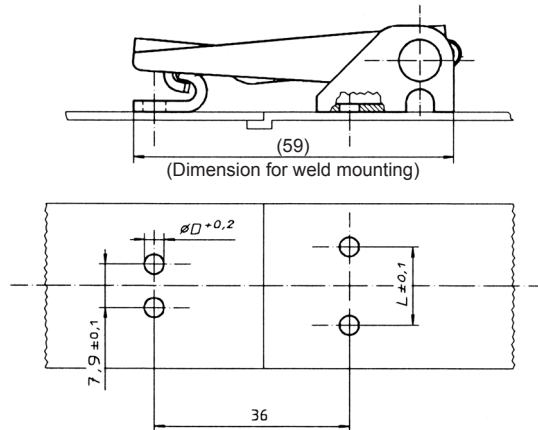


V951L02-  
V951L04-  
V951L01-\*

V951L7-\*

Select diameter D and distance L in accordance with the strike and tension latch style.

**Concealed-base tension latch / open strike**

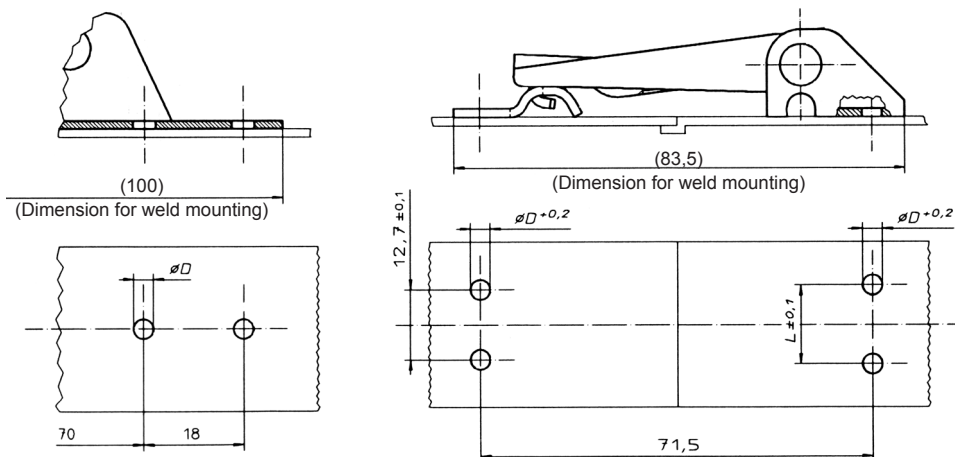


V951L03-\*

V951L7-\*

Select diameter D and distance L in accordance with the strike and tension latch style.

**Open-base tension latch / closed strike**



V951L02-  
V951L04-  
V951L01-\*

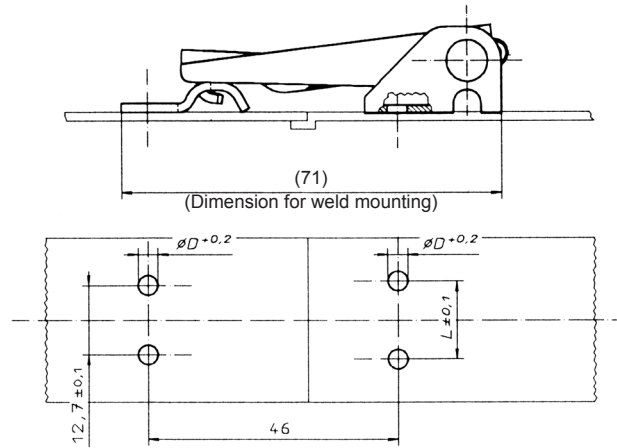
V951L50-\*

V951L05-

Select diameter D and distance L in accordance with the strike and tension latch style.

Dimensions

**Concealed-base tension latch / closed strike**

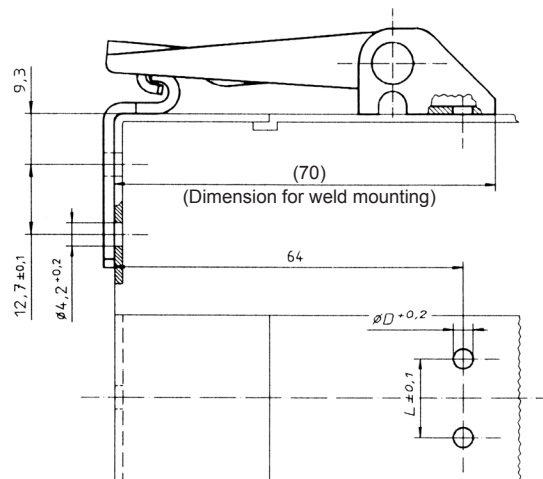


V951L03-\*

V951L50-\*

Select diameter D and distance L in accordance with the strike and tension latch style.

**Open-base tension latch / corner-mounting strike**



V951L02-\*

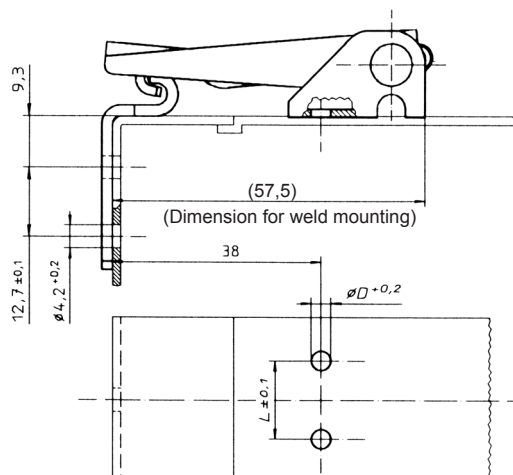
V951L04-\*

V951L01-\*

V951L52-\*

Select diameter D and distance L in accordance with the strike and tension latch style.

**Concealed-base tension latch / corner-mounting strike**



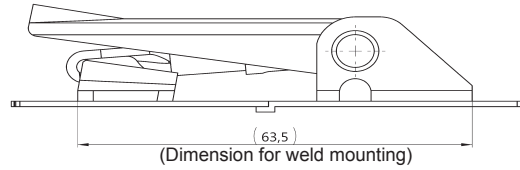
V951L03-\*

V951L52-\*

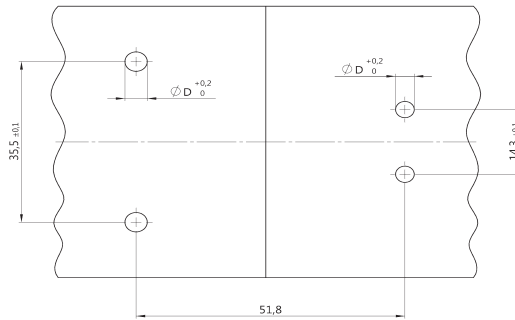
Select diameter D and distance L in accordance with the strike and tension latch style.

Dimensions

**Open-base tension latch / wide strike**



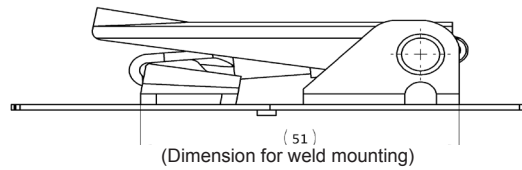
**V951L01-\***  
**V951L02-\***  
**V951L04-\***



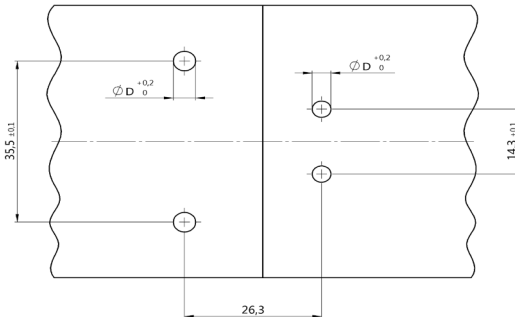
**V51L59-\***

Select diameter D and distance L in accordance with the strike and tension latch style.

**Concealed-base tension latch / wide strike**



**V951L03-\***



**V951L59-\***

Select diameter D and distance L in accordance with the strike and tension latch style.